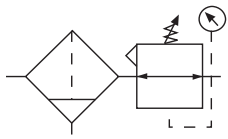


Filter / Regulator B18

= "Most Popular"

B

Filters, Regulators, Lubricators



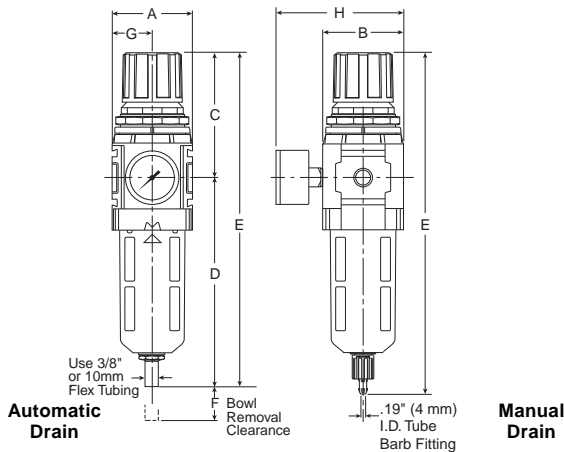
B18-02-FKG0

Features

- 5 Micron Filtration
- Balanced Valve Design
- Spring Loaded Diaphragm
- 1/2" NPT / BSPP-G Over-Ported
- Quick-Disconnect Bowl / Bowl Guard
- Light Weight
- High Flow Capacities

WARNING

**Product rupture can cause serious injury.
Do not connect regulator to bottled gas.
Do not exceed maximum primary pressure rating.**



Dimensions

Models	Inches (mm)	A	B	C	D	E	F	G	H
Standard Unit with Manual Drain B18-XX-FK00		2.36 (60)	2.36 (60)	3.66 (93)	6.34 (161)	10.00 (254)	1.60 (41)	1.20 (30)	3.74 (95)
Automatic Drain B18-XX-FG00		2.36 (60)	2.36 (60)	3.66 (93)	6.11 (155)	9.77 (248)	1.60 (41)	1.20 (30)	3.74 (95)
Metal Bowl with Sight Gauge / Manual Drain		2.36 (60)	2.70 (69)	3.66 (93)	6.34 (161)	10.00 (254)	1.60 (41)	1.20 (30)	3.74 (95)
Metal Bowl with Sight Gauge / Automatic Drain		2.36 (60)	2.70 (69)	3.66 (93)	6.11 (155)	9.77 (248)	1.60 (41)	1.20 (30)	3.74 (95)

Specifications

Flow Capacity*	1/4	88 SCFM (41.5 dm ³ /s)
	3/8	117 SCFM (55.2 dm ³ /s)
	1/2	121 SCFM (57.1 dm ³ /s)
Adjusting Range Pressure		0 to 30 PSIG (0 to 2.1 bar)
		0 to 60 PSIG (0 to 4.1 bar)
		0 to 125 PSIG (0 to 8.6 bar)
		0 to 250 PSIG (0 to 17.2 bar)
Gauge Port (2)	NPT / BSPP-G	1/4
Maximum Supply Pressure	Plastic Bowl	150 PSIG (10.3 bar)
	Metal Bowl	250 PSIG (17.2 bar)
Operating Temperature	Plastic Bowl	-13° to 125°F (-25° to 52°C)
	Metal Bowl	-13° to 150°F (-25° to 65.5°C)
Port Size	NPT / BSPP-G	1/4, 3/8, 1/2
Bowl Capacity		1.72 oz
Standard Filtration		5 Micron
Weight		1.48 lb. (0.67 kg)

* Inlet pressure 100 PSIG (6.9 bar). Secondary pressure 90 PSIG (6.2 bar).

"F" Series Filters, Type "A" 5 micron elements: All Wilkerson Type "A" 5 micron elements **meet or exceed ISO Class 3** for maximum particle size and concentration of solid contaminants.

Materials of Construction

Adjustment Knob		Acetal
Body		Zinc
Body Cap		ABS
Bowl	Plastic Bowl	Polycarbonate
	Metal Bowl	Aluminum
Bowl Guard		Nylon
Diaphragm Assembly		Nitrile / Zinc
Element Retainer / Baffle		Acetal
Filter Element		Sintered Polyethylene
Panel Nut		Acetal
Seals	Plastic Bowl	Nitrile
	Metal Bowl	Nitrile
Sight Gauge	Metal Bowl	Polyamide (Nylon)
Springs	Main Regulating / Valve	Steel / S.S.
Valve Assembly		Brass / Nitrile

CAUTION:

REGULATOR PRESSURE ADJUSTMENT – The working range of knob adjustment is designed to permit outlet pressures within their full range. Pressure adjustment beyond this range is also possible because the knob is not a limiting device. This is a common characteristic of most industrial regulators, and limiting devices may be obtained only by special design.

For best performance, regulated pressure should always be set by increasing the pressure up to the desired setting.

 = "Most Popular"

Replacement Bowl Kits

- Metal Bowl –
 - Sight Gauge, Automatic Drain GRP-96-637
 - Sight Gauge, Manual Drain..... GRP-96-636
- Plastic Bowl –
 - Bowl Guard, Automatic Drain..... GRP-96-635
 - Bowl Guard, Manual Drain..... GRP-96-634
 - Bowl Guard, Closed Bottom GRP-96-638

Replacement Element Kits

- Type "A", 5 Micron..... FRP-96-639
- Retainer, Deflector, and Element Kit FRP-96-641

Replacement Kits

- Adjusting Knob..... RRP-16-340-000
- Diaphragm Assembly –
 - Non-relieving RRP-96-657
 - Relieving..... RRP-96-656
- Spring, Regulating –
 - 0 to 30 PSIG (0 to 2.1 bar)..... RRP-96-659
 - 0 to 60 PSIG (0 to 4.1 bar)..... RRP-96-660
 - 0 to 125 PSIG (0 to 8.6 bar)..... RRP-96-661
 - 0 to 250 PSIG (0 to 17.2 bar) RRP-96-662
- Valve Assembly..... RRP-96-658

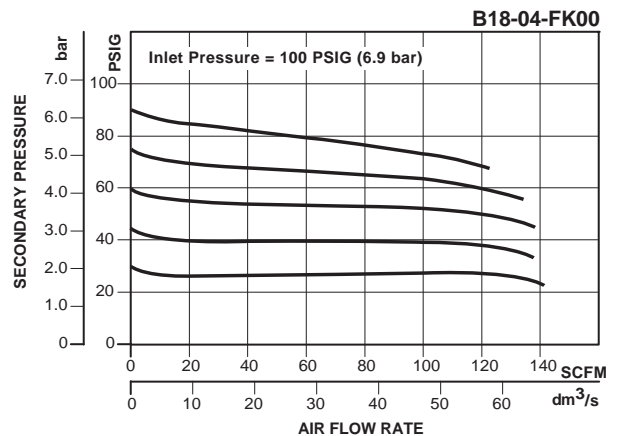
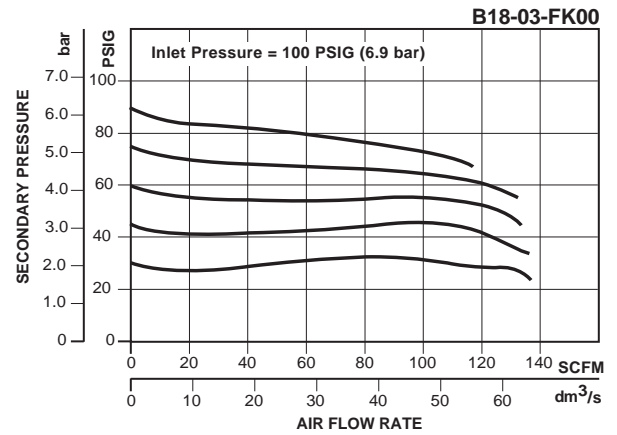
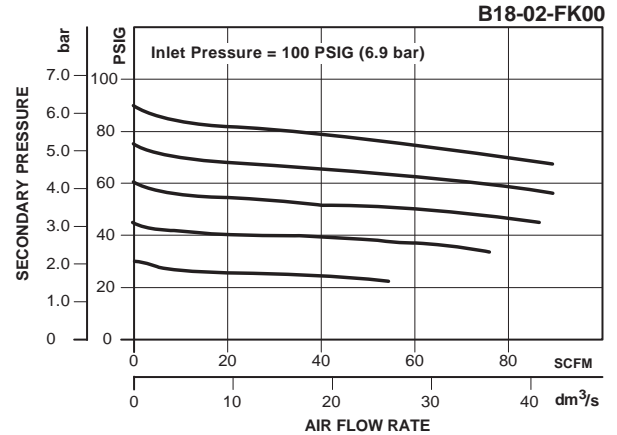
Accessories

- Automatic Drain –
 - Fluorocarbon GRP-95-981
 - Nitrile GRP-95-973
- Drain, Manual Override..... GRP-96-000
- Manual Drain..... GRP-96-685
- Panel Mount Nut –
 - Aluminum..... RRP-96-673
 - Plastic..... RRP-96-675
- Gauge, Pressure –
 - 0 to 30 PSIG, 1-1/2" Dial Face, 1/4" NPT CBM....K4515N14030
 - 0 to 60 PSIG, 1-1/2" Dial Face, 1/4" NPT CBM... K4515N14060
 - 0 to 160 PSIG, 1-1/2" Dial Face, 1/4" NPT CBM..K4515N14160
 - 0 to 300 PSIG, 1-1/2" Dial Face, 1/4" NPT CBM. K4515N14300
 - 0 to 2.0 bar, 1-1/2" Dial Face, G 1/4" CBM K4515G14030
 - 0 to 4.1 bar, 1-1/2" Dial Face, G 1/4" CBM K4515G14060
 - 0 to 11 bar, 1-1/2" Dial Face, G 1/4" CBM K4515G14160
 - 0 to 21 bar, 1-1/2" Dial Face, G 1/4" CBM K4515G14290
 - 0 to 160 PSIG, 1-3/4" Digital Round, 1/4" NPT..K4517N14160D
- Tamper Resistant Kit..... RRP-96-671
- Sight Gauge Kit..... GRP-96-825
- Wall Mounting Bracket
 - L-Type (Body)..... GPA-96-604
 - L-Type (Bonnet)..... GPA-96-606
 - T-Type..... GPA-96-602

Ordering Information

Model Type	Port Size	Plastic Bowl / Bowl Guard With Gauge 5 to 125 PSIG (0.4 to 8.6 bar)	Plastic Bowl / Bowl Guard With Gauge 3 to 60 PSIG (0.2 to 4.1 bar)	Metal Bowl / Sight Gauge With Gauge 10 to 250 PSIG (0.7 to 17.2 bar)	Plastic Bowl / Bowl Guard Without Gauge 5 to 125 PSIG (0.4 to 8.6 bar)	Plastic Bowl / Bowl Guard Without Gauge 3 to 60 PSIG (0.2 to 4.1 bar)	Metal Bowl / Sight Gauge Without Gauge 10 to 250 PSIG (0.7 to 17.2 bar)
Manual Drain	1/4	B18-02-FKG0	B18-02-DKG0	B18-02-GLG0	B18-02-FK00	B18-02-DK00	B18-02-GL00
	3/8	B18-03-FKG0	B18-03-DKG0	B18-03-GLG0	B18-03-FK00	B18-03-DK00	B18-03-GL00
	1/2	B18-04-FKG0	B18-04-DKG0	B18-04-GLG0	B18-04-FK00	B18-04-DK00	B18-04-GL00
Automatic Drain	1/4	B18-02-FGG0	B18-02-DGG0	B18-02-GHG0	B18-02-FG00	B18-02-DG00	B18-02-GH00
	3/8	B18-03-FGG0	B18-03-DGG0	B18-03-GHG0	B18-03-FG00	B18-03-DG00	B18-03-GH00
	1/2	B18-04-FGG0	B18-04-DGG0	B18-04-GHG0	B18-04-FG00	B18-04-DG00	B18-04-GH00

Options - To order an option supplied with the unit model, add the appropriate coded suffix letter in the designated position of the model number.



B
Filters, Regulators, Lubricators